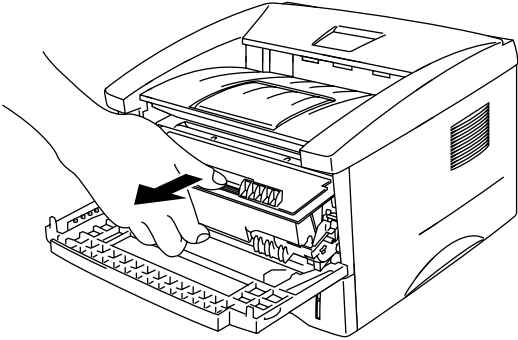


Follow these steps to replace the drum unit.

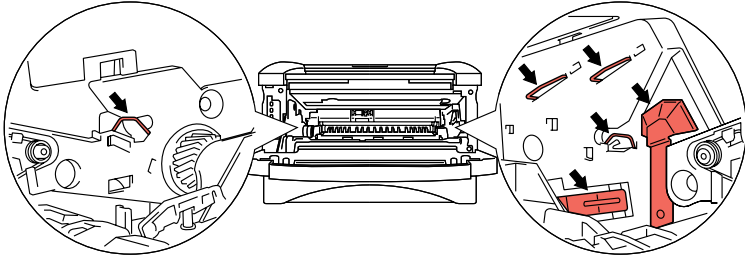
- 1. Open the front cover of the printer and pull out the drum unit assembly.



Removing the drum unit assembly

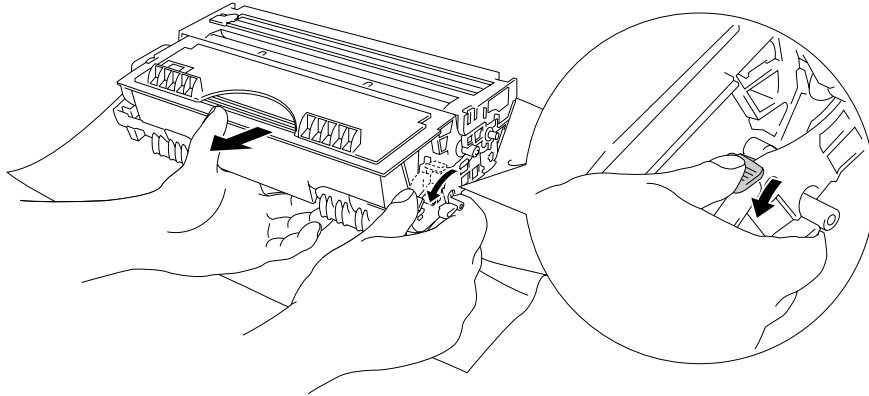
Caution

Do not touch the electrodes shown below to prevent damage to the printer caused by static electricity.



Electrodes

2. Place the drum unit assembly on a flat, horizontal surface, and pull the toner cartridge out of the drum unit assembly while pushing the lock lever down with your right hand.



Removing the toner cartridge

Note

- Discard the used drum unit according to local regulations. If you are not sure of them, consult your local dealer/retailer. Be sure to seal up the drum unit tightly so that toner powder does not spill out of the unit.
- It is recommended to put the drum unit on a piece of disposable paper or cloth in case of accidental toner spill or scatter.
- Handle the toner cartridge carefully as it contains toner. If toner scatters and your hands or clothes get dirty, wipe or wash it off with cold water immediately.

3. Unpack the new drum unit.

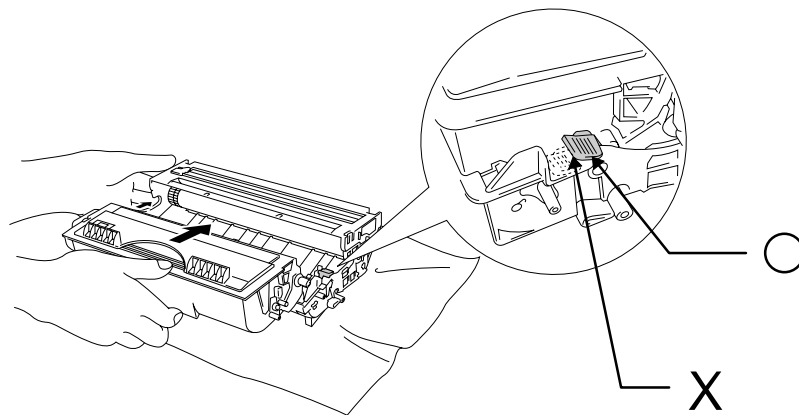
Caution

- Only unpack a drum unit immediately before you need to install it into the printer. If an unpacked drum unit is subjected to excessive direct sunlight or room light, the unit may be damaged.
- Handle the drum unit carefully. If toner scatters on your hands or clothes, wipe or wash it off with cold water immediately.

4. Install the toner cartridge into the new drum unit until it locks into place, indicated by a click. When the toner cartridge is installed correctly, the lock lever is lifted automatically.

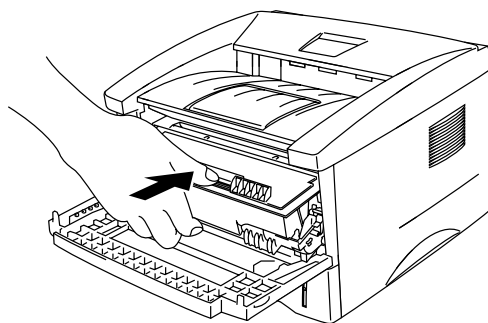
Caution

Make sure that the toner cartridge is installed correctly, or the toner cartridge may separate from the drum unit when you hold the drum unit assembly.



Install the toner cartridge into the drum unit

5. Install the drum unit assembly into the printer.



Installing the drum unit

Make sure that the printer is turned on, the front cover is open and the **Drum** and **Alarm** LEDs are illuminated.

6. Reset the page counter referring to the instructions supplied with the new drum unit.

 **Caution**

Do not reset the page counter when you replace the toner cartridge only.

7. Close the front cover.

8. Make sure that the **Drum LED** is now off.